

NOTES:

1. CASSETTE FREEWHEEL APPLICATIONS WITH 2.5 SQ CABLE;
2. 36V500W/48V1000W.

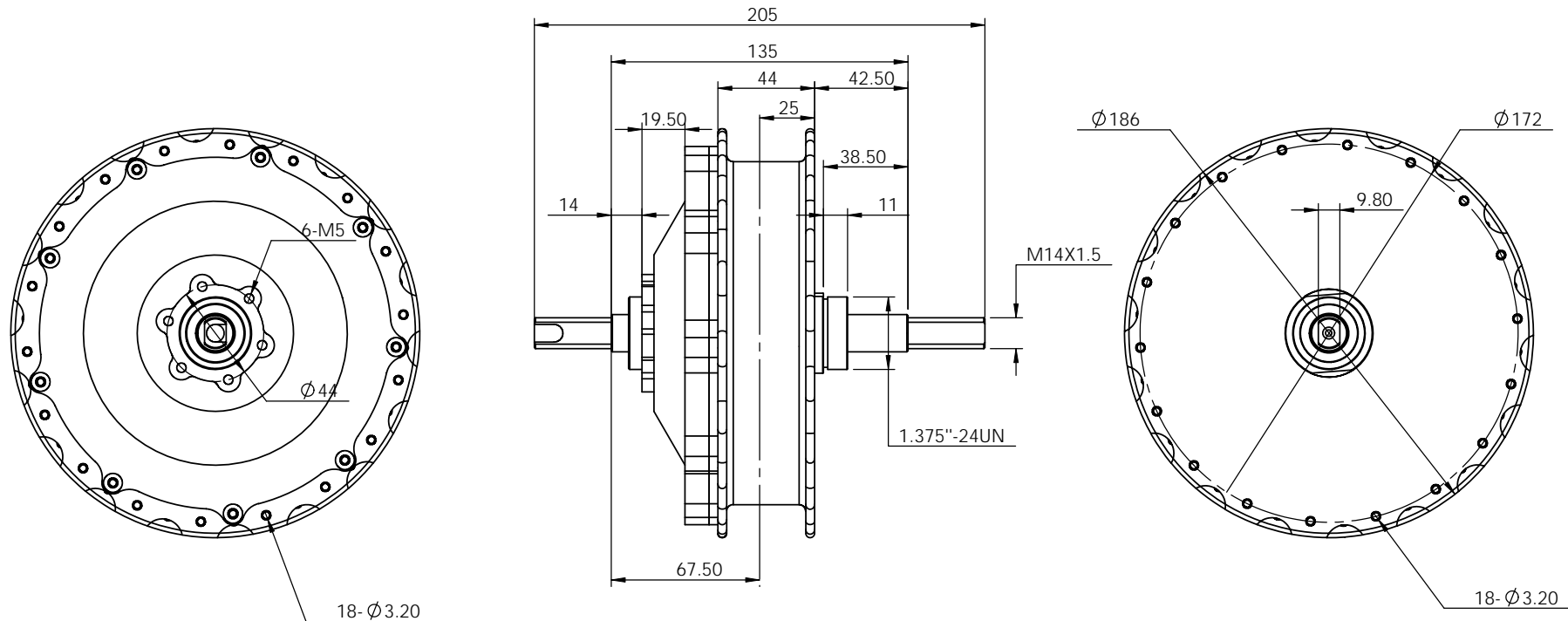


**PROPRIETARY AND CONFIDENTIAL**  
 THE INFORMATION CONTAINED IN THIS DRAWING IS THE SOLE PROPERTY OF MAC(SHANGHAI). ANY REPRODUCTION IN PART OR AS A WHOLE WITHOUT THE WRITTEN PERMISSION OF MAC (SHANGHAI) IS PROHIBITED.

		未注公差: 按GB/T 1804-92M。	签名	日期	柯德乐麦克(上海)无刷电机有限公司
			制图		
			审核		
			工程		
		材料: --	制造		HUB MOTOR OUTLINE
		表面处理: --	质量		
NEXT ASSY	USED ON	备注:			
APPLICATION		DO NOT SCALE DRAWING	CASSETTE FREE WHEEL		SIZE: A
					DWG. NO: 53621HR-CD-OUTLINE 00
					SCALE: 1:5
					WEIGHT:
					SHEET 1 OF 1

版本:

00



NOTES:

1. SCREW FREEWHEEL(7 SPEED) APPLICATIONS WITH 4.0 SQUARE CABLE;
2. 36V 500W/48V 1000W.



**PROPRIETARY AND CONFIDENTIAL**  
 THE INFORMATION CONTAINED IN THIS DRAWING IS THE SOLE PROPERTY OF MAC(SHANGHAI). ANYREPRODUCTION IN PART OR AS A WHOLE WITHOUT THE WRITTEN PERMISSION OF MAC (SHANGHAI) IS PROHIBITED.

		未注公差: 按GB/T 1804-92M。	签名	日期	柯德乐麦克(上海)无刷电机有限公司
			制图		
		材料: --	审核		HUB MOTOR OUTLINE
			工程		
		表面处理: --	制造		
			质量		
NEXT ASSY	USED ON		备注: SCREWFREE WHEEL		SIZE A
APPLICATION	DO NOT SCALE DRAWING				DWG. NO. 53621HR-7D-OUTLINE
					版本: 00
					SCALE:1:5
					WEIGHT:
					SHEET 1 OF 1